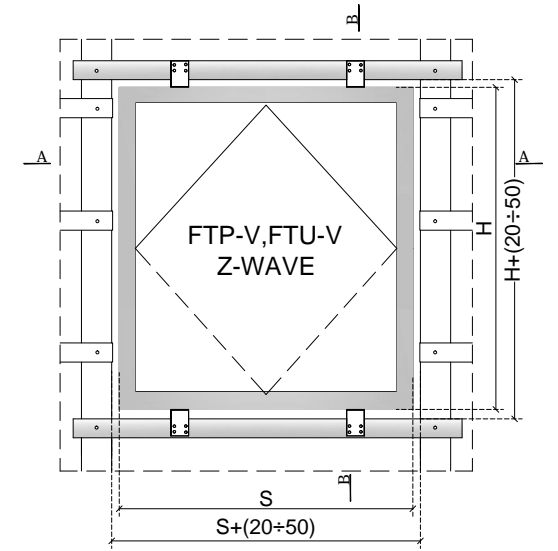
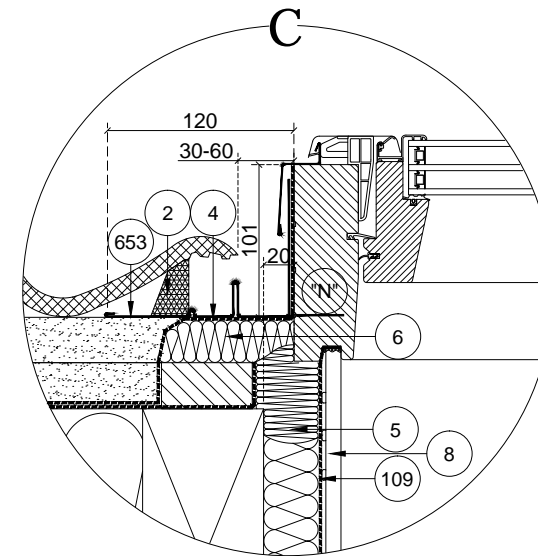
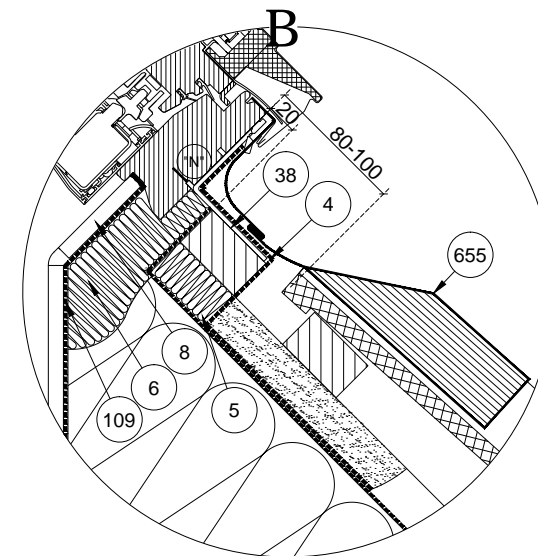
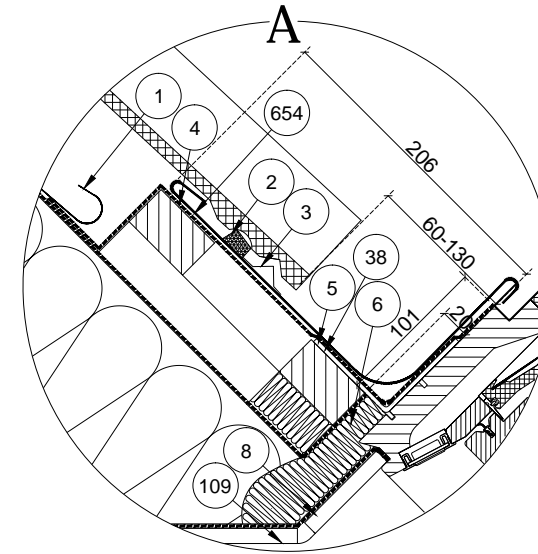
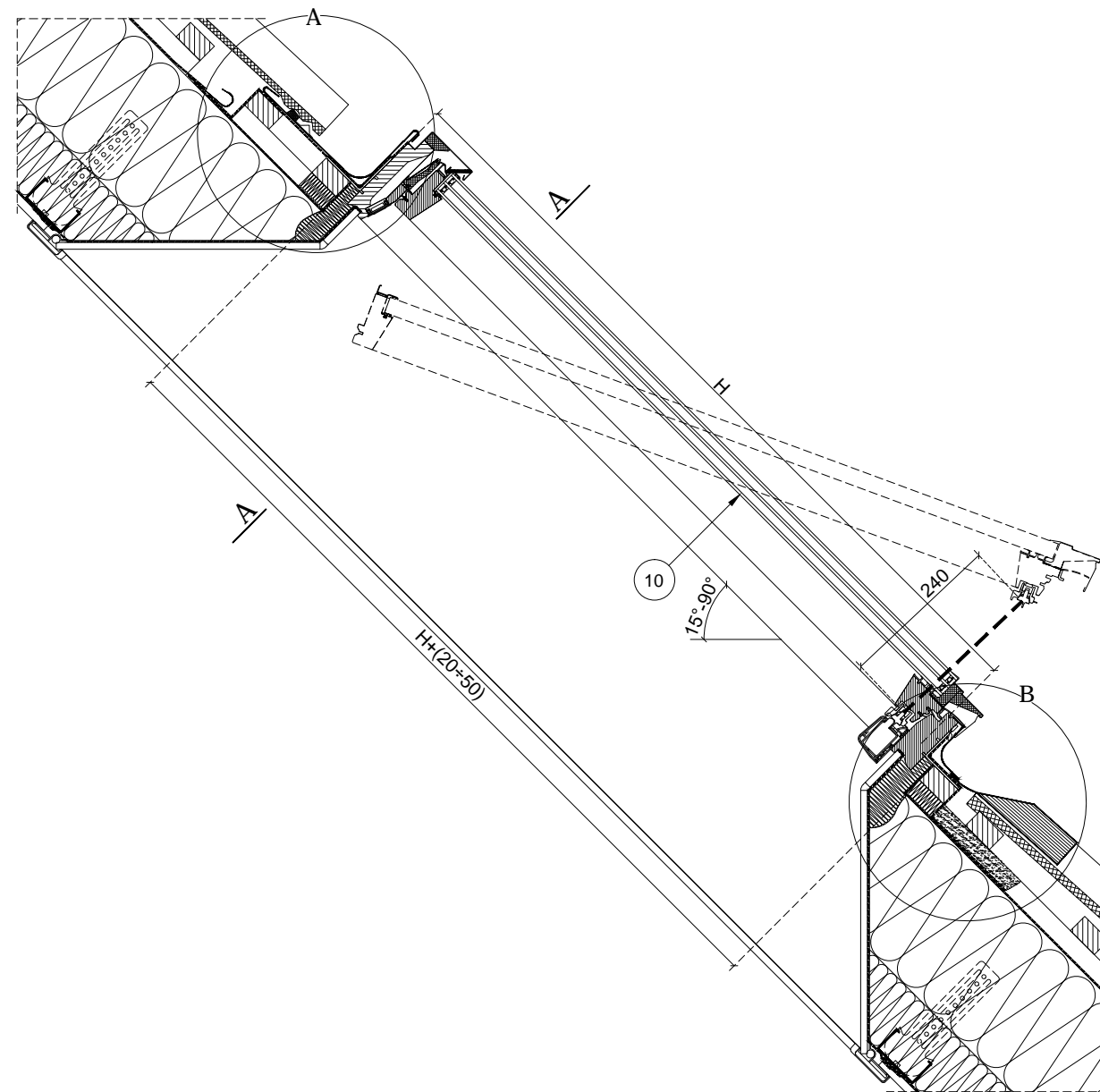


B - B



Symbols of FTP-V U4 Z-WAVE FAKRO:

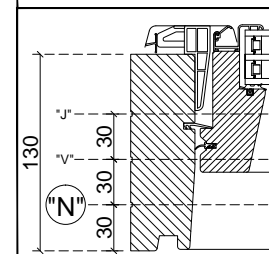
No.	(SxH)
01	55x78 (547x781)
02	55x98 (547x981)
03	66x98 (657x981)
04	66x118 (657x1181)
05	78x98 (777x981)
06	78x118 (777x1181)
07	78x140 (777x1401)
08	94x118 (937x1181)
09	94x140 (937x1401)
10	114x118 (1137x1181)
11	114x140 (1137x1401)
12	134x98 (1337x981)
13	78x160 (777x1601)
14	66x140 (657x1401)
15	94x98 (937x981)
16	55x118 (547x1181)
17	134x140 (1337x1401)
18	134x118 (1337x1181)
20	114x98 (1137x981)
22	66x78 (657x781)
23	78x78 (777x781)
24	94x78 (937x781)
25	114x78 (1137x781)
26	134x78 (1337x781)
32	66x60 (657x601)
33	78x60 (777x601)
34	94x60 (937x601)
35	114x60 (1137x601)
36	134x60 (1337x601)
46	46x78 (457x781)
47	48x78 (477x781)
48	46x98 (457x981)
49	48x98 (477x981)
80	94x160 (937x1601)

Note: Table of standard windows Fakro is only available on website www.fakro

15° - 90°



MOUNTING DEPTH



- 1-Water draining gutter FAKRO
- 2-Polyurethane insulating wedge
- 3-Tile supporting profile
- 4-XDP FAKRO vapour permeable collar
- 5-Tress made of sheep wool FAKRO (XDP)
- 6-Blocks made of sheep wool FAKRO (XDP)
- 8-XLC internal lining element FAKRO
- 10-FTP-V U4, FTU-V U4 Z-WAVE pivot window FAKRO
- 17-Rafter
- 38-Installation bracket FAKRO
- 109-XDS air-tight flashing FAKRO
- 653-EHN FAKRO flashing side element
- 654-EHN FAKRO flashing upper element
- 655-EHN FAKRO flashing lower element

FAKRO	FTP-V U4, FTU-V U4 Z-WAVE	EHN	TILE	XLC
	15° - 90°	15° - 90°		
Vertical and horizontal cross-section: FTP-V U4, FTU-V U4 Z-WAVE roof window with EHN flashing for high-profiled roofing materials		FORMAT: A3	SCALE: 1:10/1:5	DATE: 07.2022

Warning! The present drawing is for informational-demonstrative purposes only and as such cannot constitute a basis for performance. All dimensions presented in this drawing should be verified on site. Because of the fact that the drawing is a schematic one, FAKRO shall not assume any responsibility for the actual installation quality on the roof. This drawing is FAKRO's property and cannot be published or used publicly without our written consent.