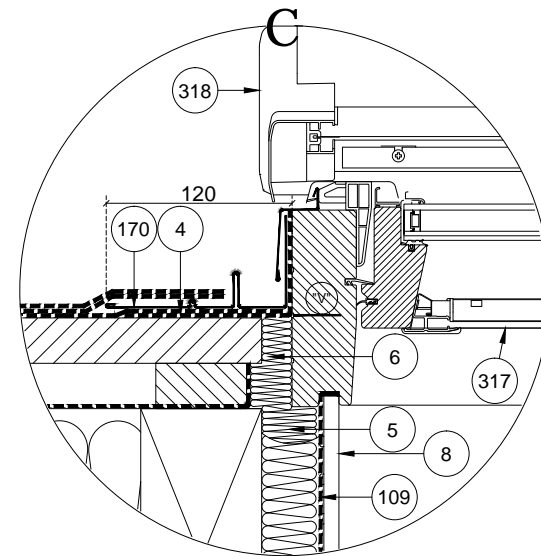
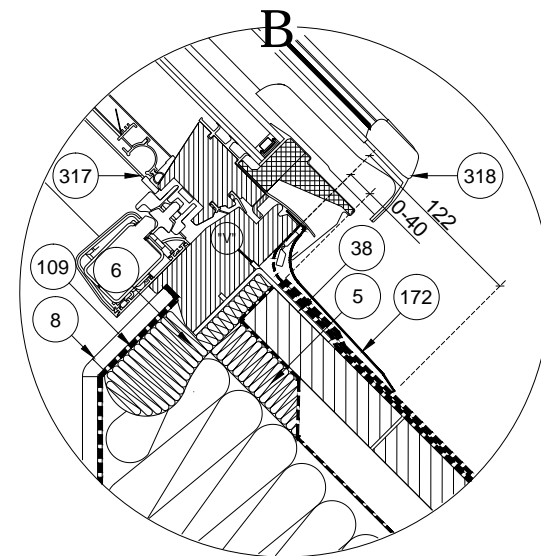
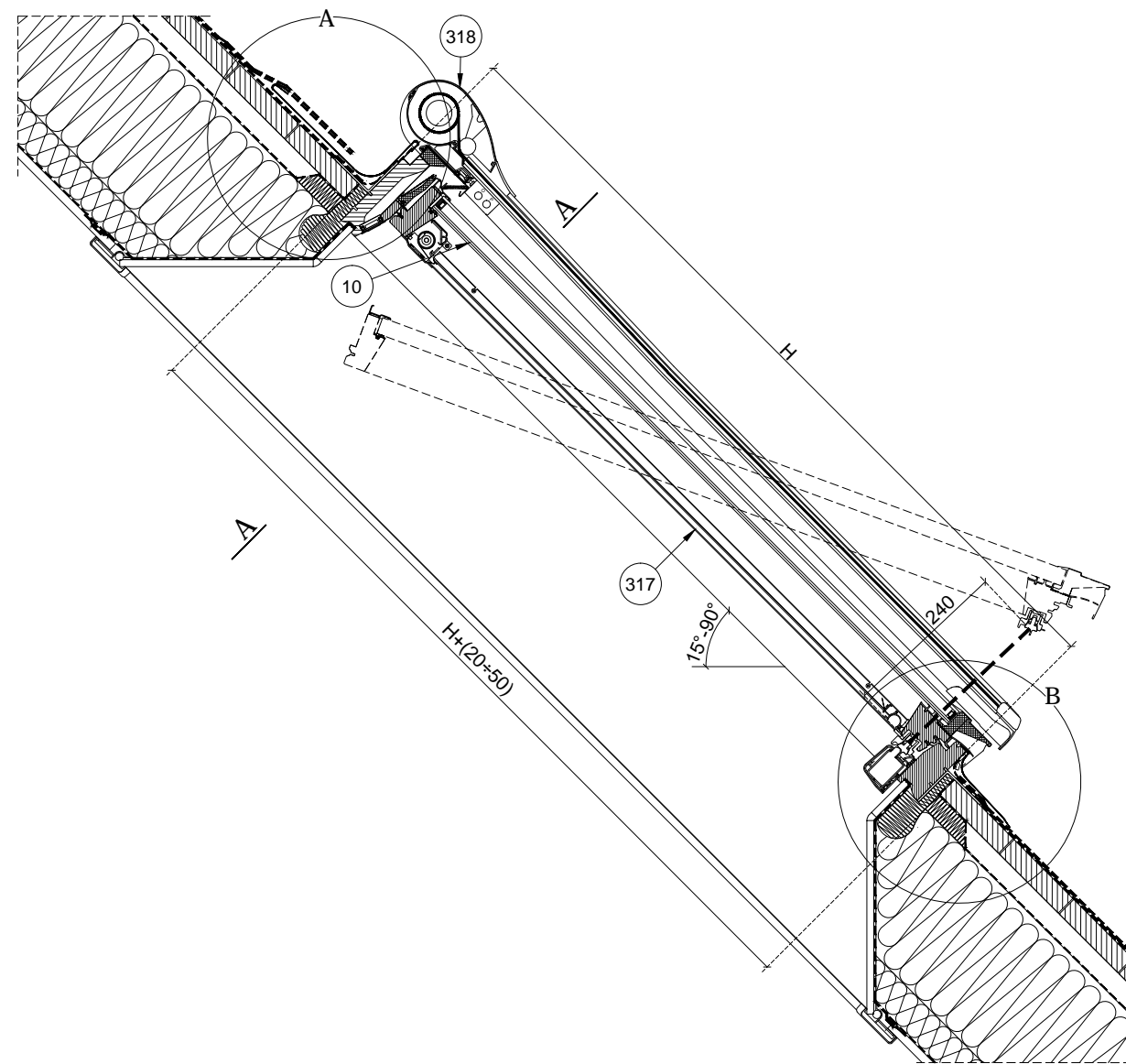
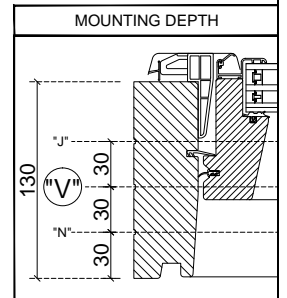


B - B



- 4-XDP FAKRO vapour permeable collar
- 5-Tress made of sheep wool FAKRO (XDP)
- 6-Blocks of sheep wool FAKRO (XDP)
- 8-XLC internal lining element FAKRO
- 10-FTP-V P2 Z-WAVE pivot window FAKRO
- 17-Rafter
- 38-Installation bracket FAKRO
- 109-XDS air-tight flashing FAKRO
- 170-ESV flashing side element FAKRO
- 171-ESV flashing upper element FAKRO
- 172-ESV flashing lower element FAKRO
- 317-AMZ roller shutter FAKRO
- 318-ARF roller blind FAKRO



| FTP-V Z-Wave | | | | | | | |
|----------------------|-----------------------|---------------------|--------------------------|---------------|-------------|------------|------------------|
| Frame width S[mm] | Frame height H[mm] | U3 (0,2 U3A, 26) | P2 (P1-P4, L3-F1, G2) | U5 (U4-T4) | R1 (R61) | P5 (L4) | Window symbol |
| 457 | 601 | + | + | + | + | + | |
| | 781 | + | + | + | + | + | 46 |
| | 981 | + | + | + | + | + | 48 |
| | 1181 | + | + | + | + | + | |
| 477 | 1401 | + | + | + | + | + | |
| | 1601 | + | + | + | + | + | |
| | 601 | + | + | + | + | + | 47 |
| | 781 | + | + | + | + | + | 49 |
| 547 | 981 | + | + | + | + | + | |
| | 1181 | + | + | + | + | + | |
| | 1401 | + | + | + | + | + | |
| | 1601 | + | + | + | + | + | |
| 657 | 601 | + | + | + | + | + | 31 |
| | 781 | + | + | + | + | + | 01 |
| | 981 | + | + | + | + | + | 02 |
| | 1181 | + | + | + | + | + | 16 |
| 777 | 1401 | + | + | + | + | + | AN |
| | 1601 | + | + | + | + | + | AM |
| | 601 | + | + | + | + | + | 32 |
| | 781 | + | + | + | + | + | 22 |
| 937 | 981 | + | + | + | + | + | 03 |
| | 1181 | + | + | + | + | + | 04 |
| | 1401 | + | + | + | + | + | 14 |
| | 1601 | + | + | + | + | + | BN |
| 1137 | 601 | + | + | + | + | + | 33 |
| | 781 | + | + | + | + | + | 23 |
| | 981 | + | + | + | + | + | 05 |
| | 1181 | + | + | + | + | + | 06 |
| 1337 | 1401 | + | + | + | + | + | 07 |
| | 1601 | + | + | 30°-70° | 30°-70° | 30°-70° | 13 |
| | 601 | + | + | + | + | + | 34 |
| | 781 | + | + | + | + | + | 24 |
| 1537 | 981 | + | + | + | + | + | 15 |
| | 1181 | + | + | + | + | + | 08 |
| | 1401 | + | + | + | + | 20°-70° | 09 |
| | 1601 | + | 20°-90° | 30°-70° | 30°-70° | 30°-70° | 80 |
| 1737 | 601 | + | + | + | + | + | 35 |
| | 781 | + | + | + | + | + | 25 |
| | 981 | + | + | + | + | + | 20 |
| | 1181 | + | + | + | + | 30°-70° | 11 |
| 1937 | 1401 | + | + | + | 20°-70° | 20°-70° | 11 |
| | 1601 | + | 20°-90° | 30°-70° | 30°-70° | 30°-70° | 50 |
| | 601 | + | + | + | + | + | 36 |
| | 781 | + | + | + | + | + | 26 |
| 2137 | 981 | + | + | + | + | 30°-70° | 12 |
| | 1181 | + | + | + | + | + | 18 |
| | 1401 | + | + | + | 25°-70° | 30°-70° | 17 |
| | 1601 | + | 20°-90° | 20°-90° | 30°-70° | 30°-70° | 17 |

FTP-V P2 Z-WAVE
FTU-V P2 Z-WAVE

15° - 90°

ESV

15° - 90°

BITUMINOUS
ROOFING

XLC

25° - 65°

Vertical and horizontal cross-section:
FTP-V P2 Z-WAVE, FTU-V P2 Z-WAVE roof window with
ESV flashing
AMZ roller shutter, ARF roller blind

FORMAT:
A3

SCALE:
1:10/1:5

DATE:
10.2020

Warning! The present drawing is for informational-demonstrative purposes only and as such cannot constitute a basis for performance. All dimensions presented in this drawing should be verified on site. Because of the fact that the drawing is a schematic one, FAKRO shall not assume any responsibility for the actual installation quality on the roof. This drawing is FAKRO's property and cannot be published or used publicly without our written consent.