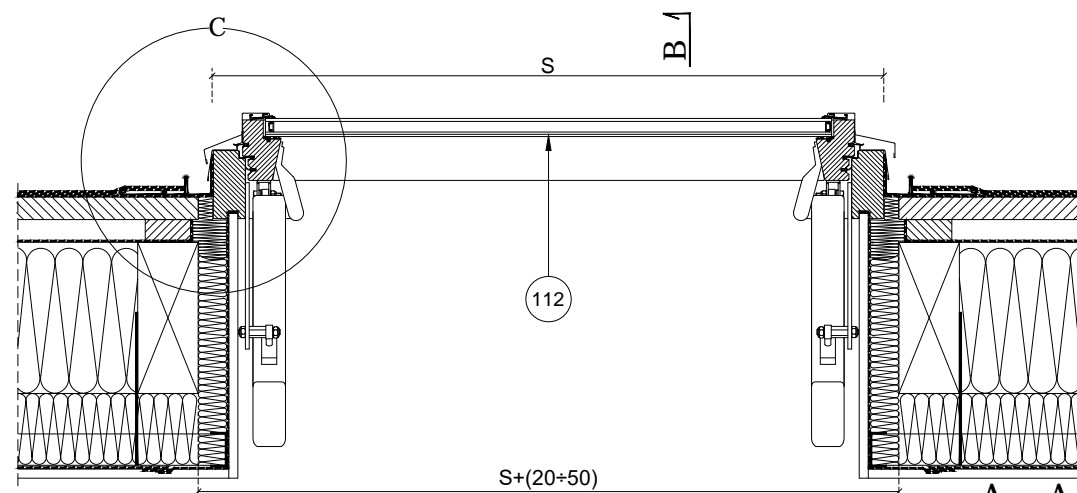
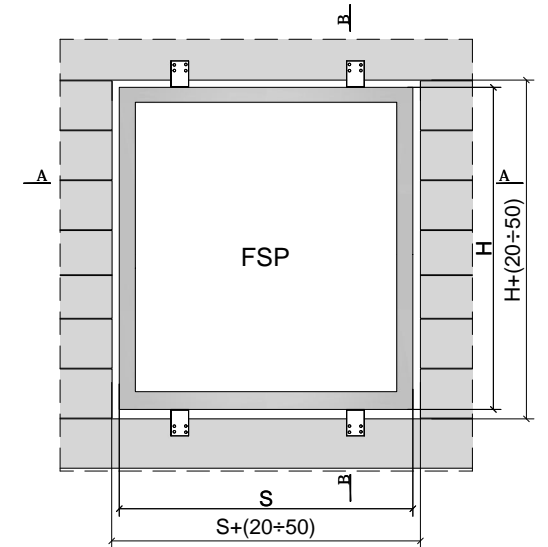
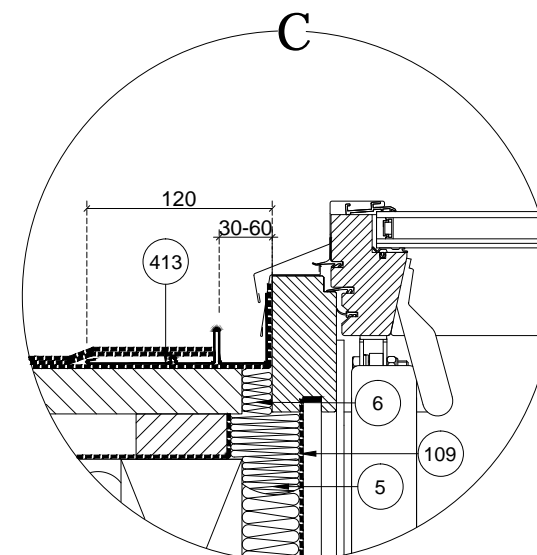
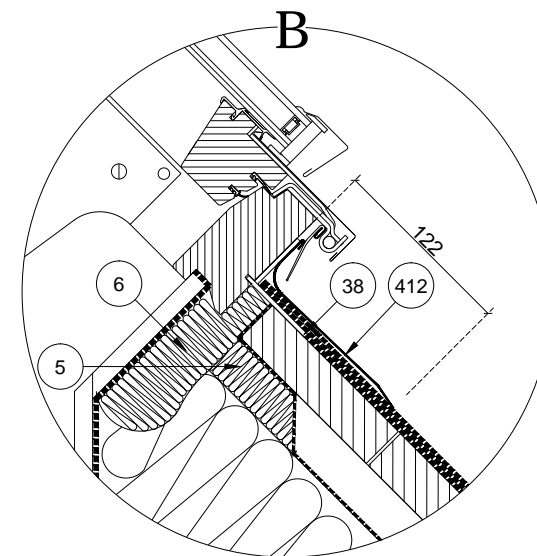
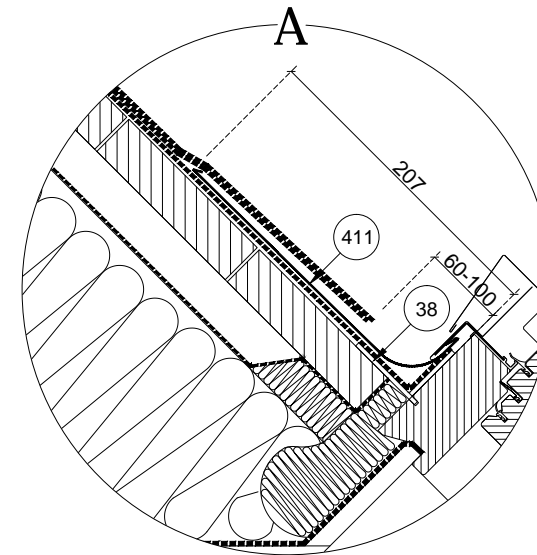


B - B



A - A

- 2-Polyurethane insulating wedge
- 3-Tile supporting profile
- 4-XDP FAKRO vapour permeable collar
- 5-Tress made of sheep wool FAKRO (XDP)
- 6-Blocks made of sheep wool FAKRO (XDP)
- 17-Rafter
- 38-Installation bracket
- 40-horizontal joining gutter FAKRO
- 109-XDS air-tight flashing FAKRO
- 112-FSP P2 smoke ventilation window FAKRO
- 411-ESS flashing upper element FAKRO
- 412-ESS flashing lower element FAKRO
- 413-ESS flashing side element FAKRO

FSP P2			
Frame width S[mm]	Frame height H[mm]	Max. actual smoke ventilation area Aa [m <sup>2</sup> ]	Window symbol
777	1398	0,53	07
937	1398	0,65	09
1137	1178	0,67	10
	1398	0,8	11
1337	978	0,65	12

<b>FAKRO</b>		FORMAT: A3	SCALE: 1:10/1:5	DATE: 12.2022
FSP P2	ESS	BITUMINOUS ROOFING	<b>20° - 60°</b>	

Vertical and horizontal cross-section:  
FSP P2 smoke ventilation window with ESS flashing

Warning! The present drawing is for informational-demonstrative purposes only and as such cannot constitute a basis for performance. All dimensions presented in this drawing should be verified on site. Because of the fact that the drawing is a schematic one, FAKRO shall not assume any responsibility for the actual installation quality on the roof. This drawing is FAKRO's property and cannot be published or used publicly without our written consent.