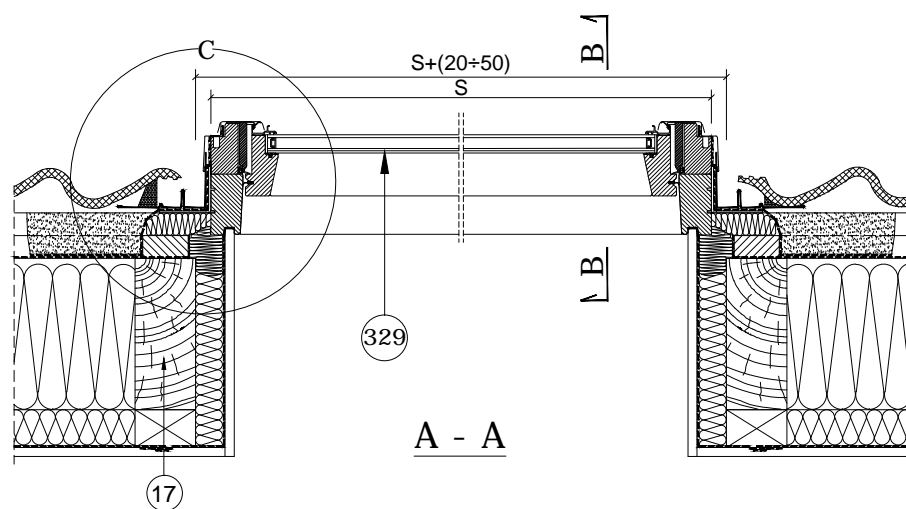
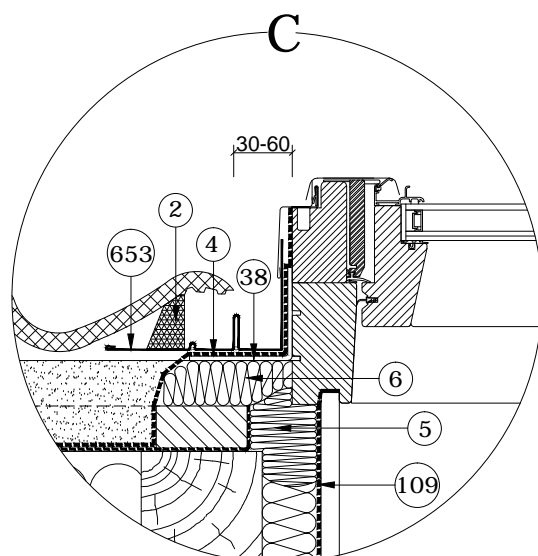
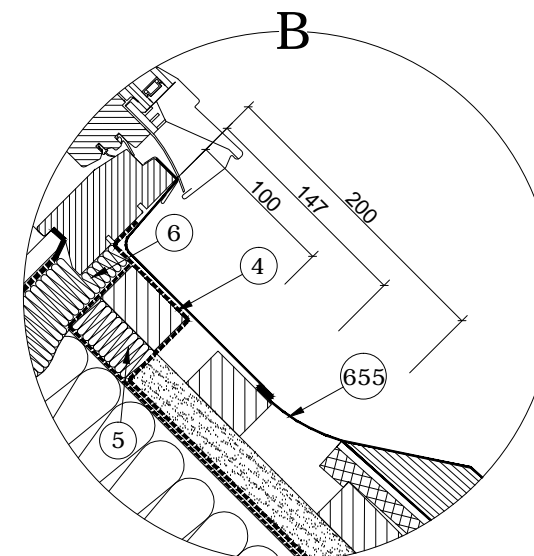
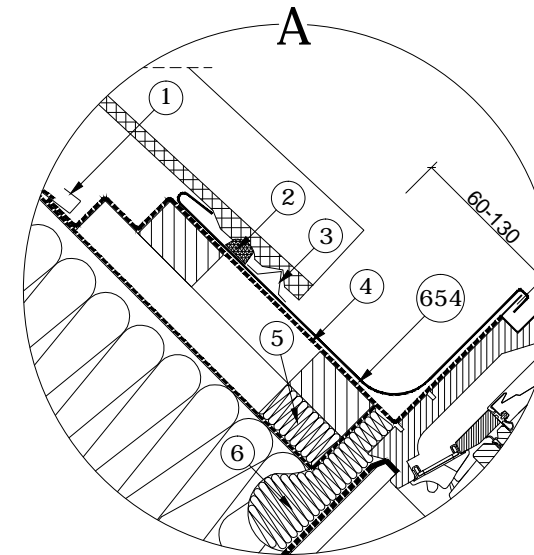
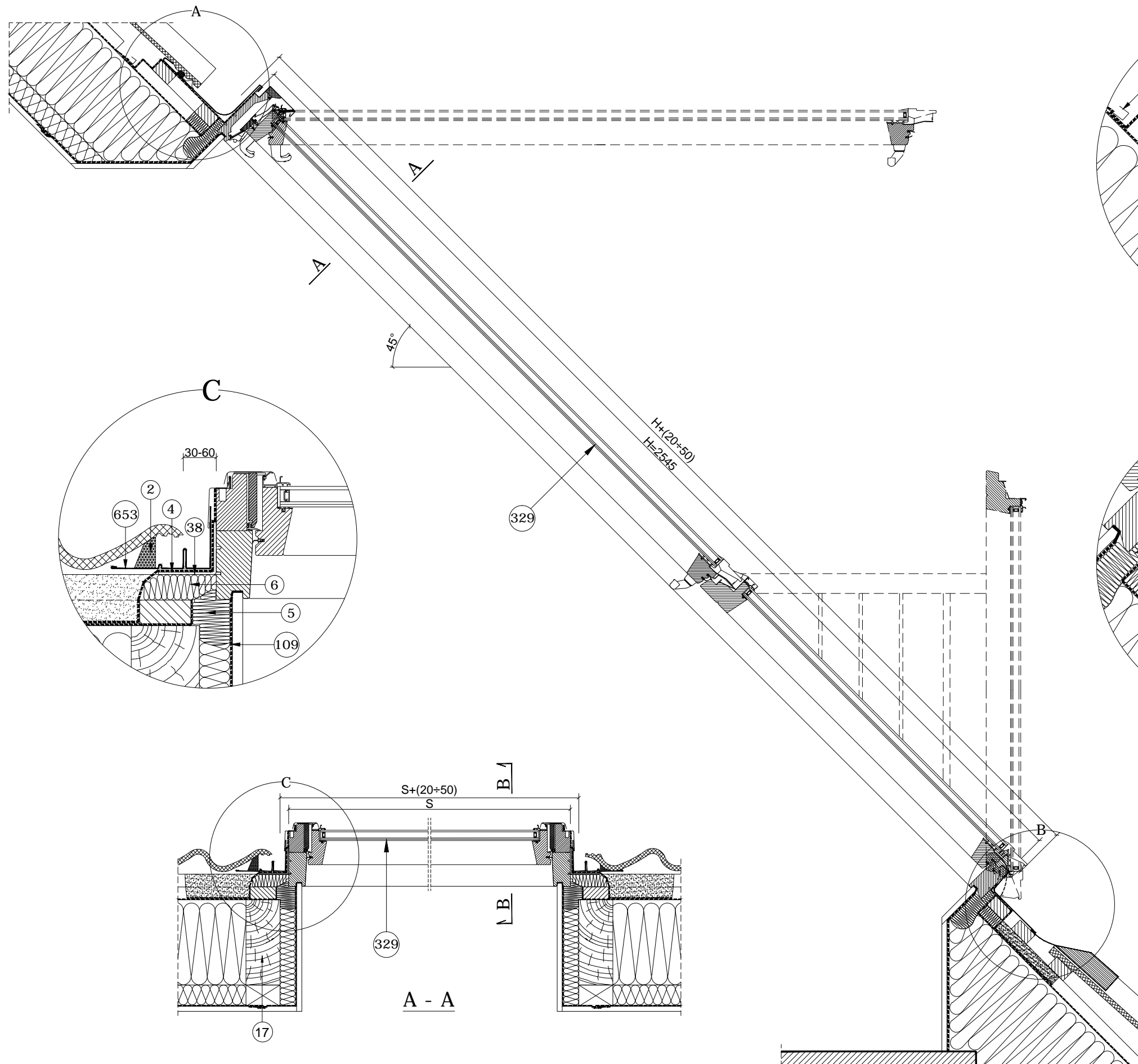
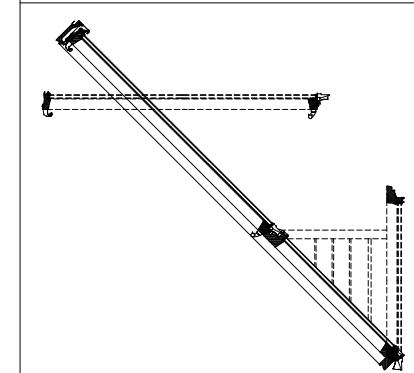
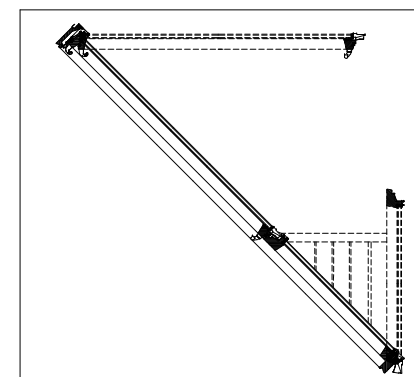


B - B



- 1-Water draining gutter FAKRO
- 2-Polyurethane insulating wedge
- 3-Tile supporting profile
- 4-XDP FAKRO vapour permeable collar
- 5-Tress made of sheep wool FAKRO (XDP)
- 6-Blocks made of sheep wool FAKRO (XDP)
- 17-Rafter
- 38-Installation bracket FAKRO
- 109-XDS air-tight flashing FAKRO
- 329-FGH-V P2 Galeria
- 653-EHN-A/G flashing side element FAKRO
- 654-EHN-A/G flashing upper element FAKRO
- 655-EHN-A/G flashing lower element FAKRO



FGH-V P2		
Frame width S(mm)	Frame height H(mm)	Window symbol
777	2545	02
937	2545	03


Vertical and horizontal cross-section: FGH-V P2 Galeria with EHN-A/G flashing for high-profiled roofing materials	FORMAT: A3	SCALE: 1:10/1:5	DATE: 12.2015
---	---------------	--------------------	------------------

Warning! The present drawing is for informational-demonstrative purposes only and as such cannot constitute a basis for performance. All dimensions presented in this drawing should be verified on site. Because of the fact that the drawing is a schematic one, FAKRO shall not assume any responsibility for the actual installation quality on the roof. This drawing is FAKRO's property and cannot be published or used publicly without our written consent.