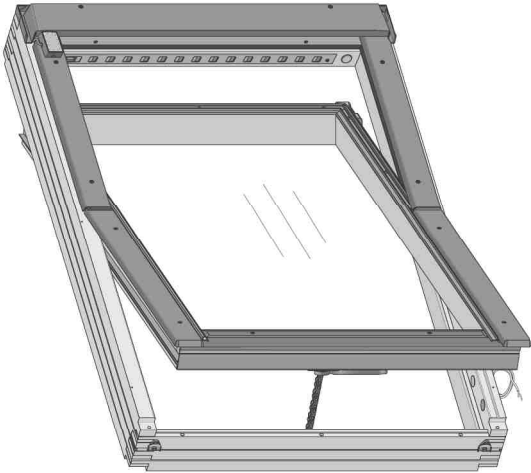


FTP-V Z-Wave

FTU-V Z-Wave

PTP-V Z-Wave

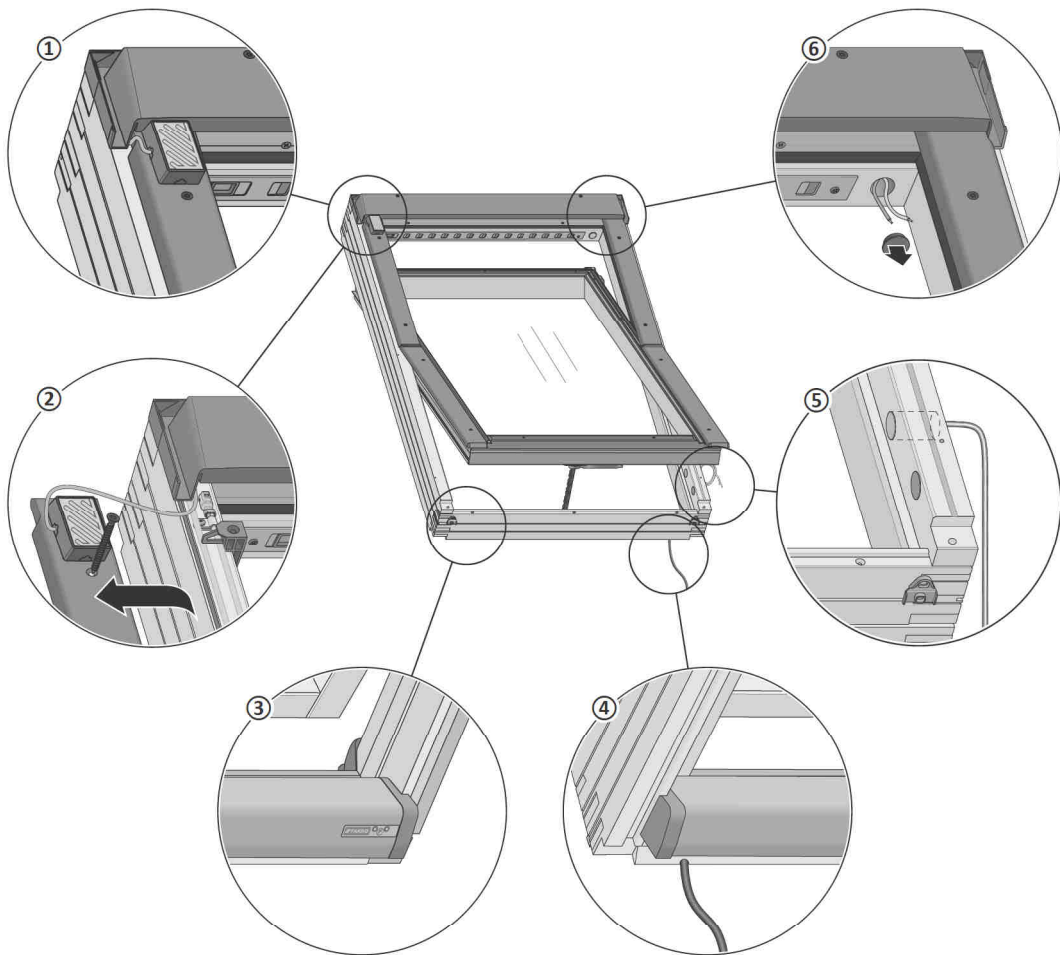


WIRING DIAGRAM	3
SAFETY RULES	4
IMPORTANT INFORMATION	4
CONTROL PANEL	5
PROGRAMMING	6
CONTROL	6
Z-WAVE DEVICES COMPATIBILITY	7
ADVANCED INFORMATION	7
WARRANTY	9



The FT_-V Z-Wave, PT_-V Z-Wave roof window ensures maximum comfort of using the attic space. Install the window and operate it using a multi-channel remote control. Use the attic safely: rain sensor monitors weather conditions outside, reed switch sensor controls the window status in cooperation with the alarm system.

Equip you window with the external ARZ Z-Wave roller shutter, AMZ Z-Wave awning blind or internal ARF Z-Wave blackout blind and control the temperature and light access within the attic space.



WINDOW ELECTRIC DESCRIPTION

①	Rain sensor	④	Power cable
②	Power supply of external accessory 15V DC, 2x0.5mm ²	⑤	Reed switch – magnetic sensor for alarm
③	Control panel	⑥	Power supply of internal accessory 15V DC, 2x0.25mm ²

TECHNICAL SPECIFICATION

Working temperature:

-10°C to +65°C

Power voltage:

100-240V AC

Rated power:

60W

Power cable cross-section:

3x1.00mm²

Protection class:

IP30

Closing force:

250N

Pushing force:

250N

Chain extension:

240mm

Chan extension speed:

4.25mm/s

Limit switch:

Overload when closing,
Limit when opening

Radio protocol:

Z-Wave

Radio reach:

Up to 20m in a building

Radio frequency:

EU – 868.4 MHz;
AS/NZ – 921.42 MHz;
US/Canada – 908.4 MHz;
RU – 869 MHz
(depending on version).

REED SWITCH

Maximum switching voltage:

48V DC/AC

Maximum switching current:

400mA DC/peak AC

Degree of protection:

(PN-EN50131-2-6:2009): 2

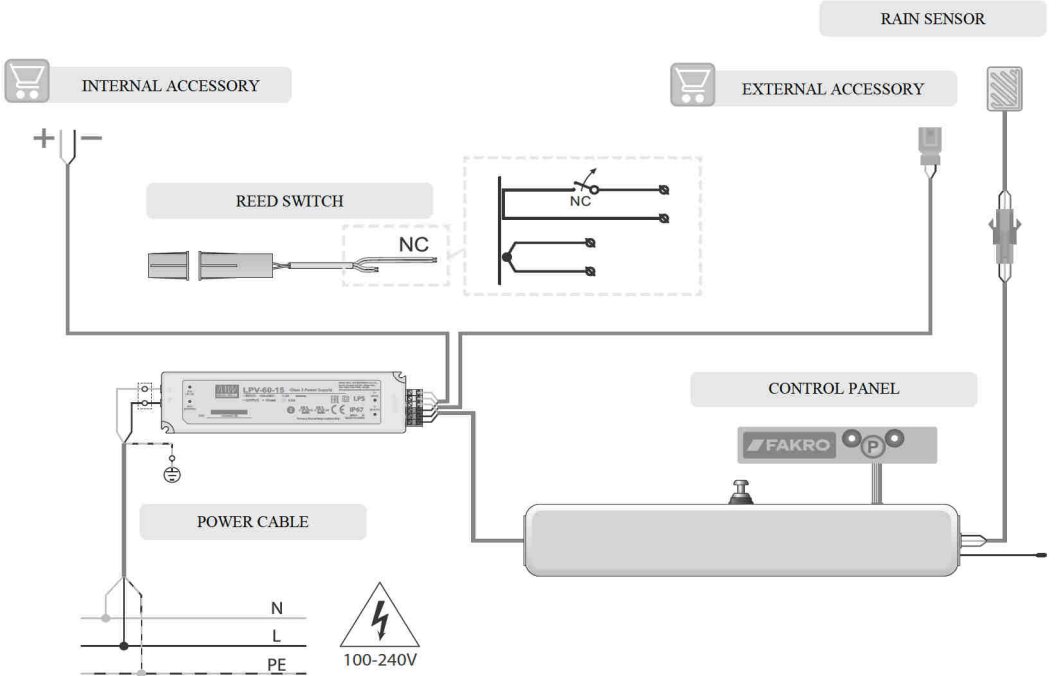
Atests:

VdS Germany, INCERT Belgium,
SBSC

Cable cross-section:

4x0.25mm²

WIRING DIAGRAM



SAFETY RULES



Danger of crushing! When closing, the actuator exerts the force of 250N (app. 25 kg)!



The window may close automatically (without warning) if it is connected to the control unit or rain sensor.

It is required to observe the following recommendations when installing the FT_V Z-Wave, PT_V Z-Wave window:

- Safety requirements should be particularly respected. The use of the electric actuator installed in order to operate the window creates a risk of injury. Although the mechanism of the actuator is equipped with an overload switch, forces present there are strong enough to cause physical injuries. When closing the window, the actuator exerts the force of 250N (app. 25 kg)!
- If the FT_V Z-Wave, PT_V Z-Wave window is easily accessible, e.g. the lower window edge is situated lower than 2.5 m above the floor level, then special safety measures should be adopted so as to prevent health hazards.
- This equipment is not designed for use by people (including children) with limited physical, sensory or mental ability, or by people that do not have experience or knowledge of the equipment, unless it is done under supervision or according to the product original user manual provided by a person responsible for their safety. Do not allow children to play with the equipment.
- After unpacking, check the window elements for any signs of mechanical damage.
- Installation should be carried out in accordance with manufacturer's instructions by a qualified professional.
- Before connecting the window make sure that the supply voltage corresponds with the voltage specified on the data plate.
- Plastic containers used for packing should be stored out of children reach as they may be a potential source of danger.
- The window should be used according to its intended design. FAKRO shall not be responsible for any consequences being the result of improper window use.
- Any activities related to cleaning, adjustment or dismantling the electric parts of the window should be preceded with disconnecting it from the power supply.
- Electric parts must not be washed using solvent-based substances or open stream of water (do not immerse them in water).
- Any repairs of the window should be carried out by service authorised by the manufacturer.

IMPORTANT INFORMATION

1. To prevent water vapour condensation on the window in winter seasons install properly the lining and place the heat source directly beneath the window.
2. Applying the air inlet allows for automatic exchange of air with the environment under the influence of pressure difference. It is possible when natural ventilation in the room is working properly. Manual adjustment of the air inlet opening is possible.
3. Operating the window by means of the actuator enables to increase ventilation in the room.
4. In case of rooms where the ventilation through ventilation ducts is not working properly, the room should be ventilated by complete opening of the window.
5. By turning the handle to vertical position, the sash can be manually opened up to an angle of 180 degrees.
6. Lock situated in the side part of the window allows for safe and easy cleaning of the outer pane.
7. To ensure that the window functions reliably throughout its designed life, it is recommended to set up a program of maintenance. Remove leaves and other dirt from the flashing at least once a year to ensure proper water drainage. In areas with heavy snow falls, snow remaining for a long time should be removed. This allows to reduce the risk of freezing of melting snow on the window bottom element.
8. It is recommended to carry out periodical lubrication of hinges for their correct operation.
9. In case of wooden windows coated with ecological clear acrylic varnish it is recommended to paint them every 3-5 years depending on usage conditions.
10. The FT_V Z-Wave, PT_V Z-Wave window can be controlled by means of a manual control button or the Z-Wave controller.



BASIC FUNCTIONS



x1 Press the button once.
Manual control.

x1



x2 Press the button 2 times.
Programming.

x1

ADDITIONAL FUNCTIONS



x3 Perform on the button a double-click sequence 3 times.
Restoring device parameters.
Green LED blinks 5 times.

x2



x5 Perform on the button a double-click sequence 5 times.
Device reset.
Green LED is on.

x2

SIGNALLING



Red LED blinks 3 times.
Overload, end position reached.



Red LED blinks once.
Low current, end position reached.



Green LED is on.
The device has not been added to the Z-Wave network.



Green LED is off.
The device has been added to the Z-Wave network.



Green LED blinks for 10 minutes.
The Autoinclusion function has been activated.

PROGRAMMING

For programming information refer to the user manual of the Z-Wave controller which is to control the window.

ADD TO NETWORK
ADD TO GROUP
REMOVE FROM NETWORK
REMOVE FROM GROUP
etc.

Run selected function on the Z-Wave controller.

METHOD 1*



METHOD 2



The FT_-V Z-Wave, PT_-V Z-Wave window is automatically entered into the programming mode after connecting the power supply for 10 minutes - AUTOINCLUSION function.

Enter the FT_-V Z-Wave, PT_-V Z-Wave window into the programming mode by pressing the P button.



*It allows a hard-to-access window to be remotely added to the Z-Wave network without the need for pressing the programming button. Each time the power is switched on, the window enters the Autoinclusion mode provided that it is not assigned to the Z-Wave network. The mode is active for up to 10 minutes.

CONTROL

MANUAL CONTROL



x1



x1



x1



Control the window by pressing the button. 1. Start, 2. Stop, 3. Start in the opposite direction...

REMOTE CONTROL



The window must be programmed for use with the Z-Wave controller in order to be remotely operated. The controller must be purchased separately.

Z-WAVE DEVICES COMPATIBILITY

The Z-Wave allows to integrate devices of different manufacturers which can work in different groups: lighting, heating, domestic automatic control, etc. The Z-Wave devices operate as repeaters in the network which extends the communication range of radio waves.

This product is compatible with other certified Z-Wave devices of other manufacturers. All battery-free devices of different manufacturers operating in one Z-Wave network can route through other devices, which can result in increased range.

Z-Wave Plus Product in Secure mode.

This device is secured Z-Wave Plus product that can use encrypted Z-Wave Plus messages to communicate with other Z-Wave Plus products with security features.



All information on adding devices to the Z-Wave network in controllers offered by other manufacturers can be found in user manuals of these products.

ADVANCED INFORMATION

ASSOCIATION GROUPS

1. Life Line – group for reporting the position of the actuator after each stop and receiving information about the alarm (overload).
A maximum of 1 device can be in the group.

2. Basic Repeat – group used for sending received commands of movement (basic set) to devices belonging to this group.
A maximum of 5 devices can be in the group.

3. Multilevel Repeat – group used for sending received commands of movement (SWITCH MULTILEVEL SET, SWITCH MULTILEVEL START LEVEL CHANGE, SWITCH MULTILEVEL STOP LEVEL CHANGE) to devices belonging to these groups.
A maximum of 5 devices can be in the group.

Z-WAVE CONFIGURATION PARAMETERS

Parameter	Parameter No.	Value	Default value	SET (sending)	GET (querying)
Chain extension speed	7	1 2 3 4	2	1 – the slowest 4 – the fastest	1 – the slowest 4 – the fastest
Go to position	13	1 2	1	1 – FF go to maximum 2 – FF go to previous position	-
Ventilation	15	0 120	0	Close after set time (minutes)	Check time till the end of ventilation (minutes)
Default settings	99	1 2	1	1 – default parameters 2 – parameters other than the default	-
Autoexclusion	100	1 2	1	2 – autoexclusion	-

ALARMS AND NOTIFICATIONS

Notification type	Event
Water Alarm	Water Leak detected, Unknow Location
Power Management	Overload detected

COMMAND CLASSES

Command Classes	Role	
	Support	Control
Command Class Z-Wave+ Info v2	ok	
Command Class Basic v1	ok	ok
Command Class Version v2	ok	
Command Class Manufacturer Specific v2	ok	
Command Class Device Reset Locally v1	ok	
Command Class Association v2	ok	
Command Class Association Group Info v1	ok	
Command Class Powerlevel v1	ok	
Command Class Switch Binary v1	ok	
Command Class Switch Multilevel v3	ok	ok
Command Class Switch All v1	ok	
Command Class Configuration v1	ok	
Command Class Notification v3	ok	
Command Class Node Naming v1	ok	
Command Class Security v1	ok	

MANUFACTURER SPECIFIC REPORT

Parameter	Value
Manufacturer ID	0x0085
Product Type ID	0x0002
Product ID	0x0010

ADVANCED FUNCTIONS

Function	Description	LED indicator	
		Motor status	Z-Wave network status
Resetting the device locally	Perform on the button a double-click sequence 5 times. Device reset.	-	On
Resetting parameters locally	Perform on the button a double-click sequence 3 times. Restoring device parameters.	-	Blinking 5 times
Autoinclusion	Adding a hard-to-access device to the Z-Wave network. Each time the power is switched on, the window enters the Autoinclusion mode provided that it is not assigned to the Z-Wave network. The mode is active for up to 10 minutes.	-	Blinking for 10 minutes



PL

<https://www.fakro.pl/serwis/gwarancja/>



GB

<https://www.fakro.com/service/customer-service/>

Producent:

FAKRO Sp. z o.o.

ul. Węgierska 144A, 33-300 Nowy Sącz, PL

tel. +48 18 4440444, fax +48 18 4440333

www.fakro.com

Quality certificate:

Device

Model

Serial number

Seller

Address

Purchase date

Invoice No.

Signature (stamp) of person installing a device

